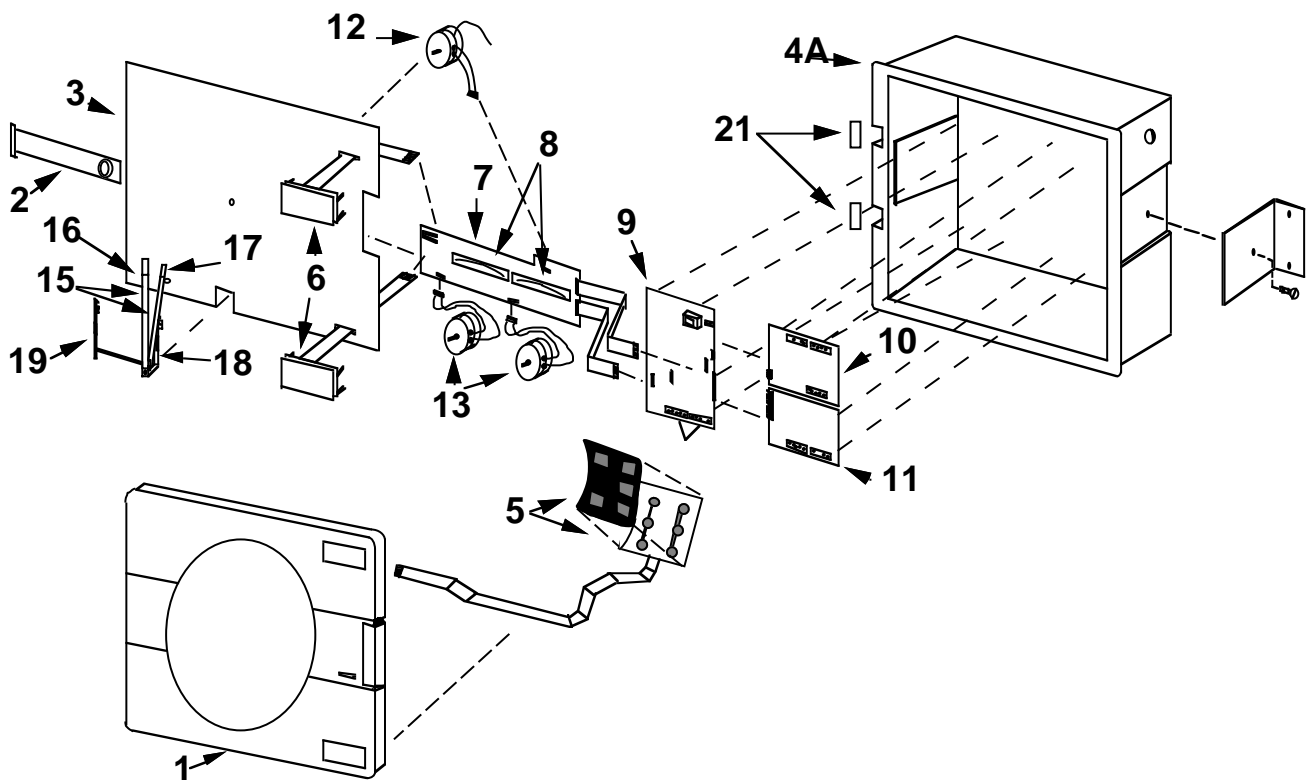


MRC 7000 SERIES RECORDERS



ASSEMBLY

NOTE: The MRC Series Instruments identified by a black platen, require a different part number than those identified by a silver platen. Therefore, before selecting a spare part, *check the platen color of your instrument!*

MRC 7000 SERIES RECORDERS

ASSEMBLY 1.

COVER ASSEMBLY

All cover assemblies include gasket, latch handle with shaft assembly, trim, and N3 rating. KEYPAD NOT INCLUDED.

<u>PART DESCRIPTION</u>	<u>PART NUMBER</u>
One Pen, without Door Lock	SP10102401
Two Pen, without Door Lock	SP10102402
One Pen, with Door Lock	SP10102403
Two Pen, with Door Lock	SP10102404

ASSEMBLY 1A.

COVER PARTS

<u>PART DESCRIPTION</u>	<u>PART NUMBER</u>
Plastic Chart Window	RFTJ5322
Window Retainer	RFS3
<u>PART DESCRIPTION</u>	<u>PART NUMBER</u>
Plastic Display Window	10087201
Cover Hinges (includes 2 pins 2 plates & 4 screws)	64417701
Cover Latch Kit	64422501
Latch	RFS23P
Washer	RFS31
Screw	61807201
Cam Assembly	SPRFSS5
Cover Lock (replacement only)	60101601

ASSEMBLY 2.

CHART HUB STRIP

<u>PART DESCRIPTION</u>	<u>PART NUMBER SILVER PLATEN</u>	<u>PART NUMBER BLACK PLATEN</u>
7000	64414402	NOT REQUIRED
7700	64414403	NOT REQUIRED
7800	64414404	NOT REQUIRED

MRC 7000 SERIES RECORDERS

ASSEMBLY 3.

PLATEN ASSEMBLY

All platen assemblies include platen, display support assembly, chart drive motor assembly, stepper driver board including potentiometer segment(s) (if required), pen motor(s) assembly and cable assembly.

<u>PART DESCRIPTION</u>	<u>PART NUMBER SILVER PLATEN</u>	<u>PART NUMBER BLACK PLATEN</u>
One Pen		
7000	SP10089201	SP10128601
7700	SP10089204	SP10128601
7800	SP10089202	SP10128601
Two Pen		
7000	SP10089101	SP10128701
7700	SP10089104	SP10128701
7800	SP10089102	SP10128701

ASSEMBLY 3A.

PLATEN PARTS

<u>PART DESCRIPTION</u>	<u>PART NUMBER</u>
Platen (Silver Platen)	50019202
Platen (Black Platen)	SP50031101
Display Support (Silver Platen)	10087103
Captive Screw	63302501
Captive Screw Retainer	63302502
Label Wiring	62512401
Label Model/Serial/Rating	62512201

MRC 7000 SERIES RECORDERS

ASSEMBLY 4.

CASE ASSEMBLY (not shown)

<u>PART DESCRIPTION</u>	<u>PART NUMBER SILVER PLATEN BELOW 96L24726</u>	<u>PART NUMBER BLACK PLATEN ABOVE 96L24727</u>
Includes hinges, ground shield and all hardware		
For use with less than 4 relays/ssrd	SP50007515	SP50032601
For use with 4 or more relays/ssrd	SP50007516	SP50032602
For use with less than 4 relays/ssrd and N3 rating	SP50007526	SP50032605
For use with 4 or more relays/ssrd and N3 rating	SP50007527	SP50032606

ASSEMBLY 4A.

CASE ONLY

<u>PART DESCRIPTION</u>	<u>PART NUMBER</u>
For use with less than 4 relay/ssrd	SP50005002
For use with 4 or more relay/ssrd	SP50005003
For use with less than 4 relays/ssrd and N3 rating	SP50005004
For use with 4 or more relays/ssrd and N3 rating	SP50005005

MRC 7000 SERIES RECORDERS

ASSEMBLY 5.

KEYPAD

<u>PART DESCRIPTION</u>	<u>PART NUMBER</u>		
	<u>7000</u>	<u>7700</u>	<u>7800</u>
One Pen Recorder Only	64414701	64414701	64414708
Two Pen Recorder Only	64414701	64414701	64414708
One Pen Limit	64414709	Not Available	Not Available
One Pen Controller	64414702	64414702	Not Available
Two Pen Cont/Record	64414702	64414702	Not Available
Two Pen Cont/Cont	64414703	64414703	Not Available
One Pen Profiler	64414704	64414704	Not Available
Two Pen Prof/Record	64414704	64414704	Not Available
Two Pen Profiler	64414705	64414705	Not Available
One Pen Total	Not Available	Not Available	64414708
Two Pen Total	Not Available	Not Available	64414708

Above kits include switch panel with tape, overlay and installation instructions.

OVERLAY ONLY

<u>PART DESCRIPTION</u>	<u>PART NUMBER</u>		
	<u>7000</u>	<u>7700</u>	<u>7800</u>
One Pen Recorder	40031501	40031501	40031513
Two Pen Recorder	40031501	40031501	40031513
One Pen Limit	40031515	Not Available	Not Available
One Pen Control	40031502	40031502	Not Available
Two Pen Cont/Recorder	40031502	40031502	Not Available
Two Pen Contr/Contr.	40031503	40031503	Not Available
One Pen Profiler	40031504	40031504	Not Available
Two Pen Prof/Recorder	40031504	40031504	Not Available
Two Pen Profiler	40031505	40031505	Not Available
One Pen Total	Not Available	Not Available	40031513
Two Pen Total	Not Available	Not Available	40031513

MRC 7000 SERIES RECORDERS

SWITCH PANEL

<u>PART DESCRIPTION</u>	<u>PART NUMBER</u>
With tape (NO OVERLAY)	SP40032103

ASSEMBLY 6.

DISPLAY CIRCUIT BOARD

<u>PART DESCRIPTION</u>	<u>PART NUMBER</u>
7000, 7700	
Recorder	SP04614305
Limit (7000 only)	SP04614305
Controller	SP04614306
Profiler	SP04614307
7800	
All Models	SP04615405

FILTER

<u>PART DESCRIPTION</u>	<u>PART NUMBER</u>
7000, 7700	
Recorder	40031601
Limit (7000 only)	40031601
Controller	40031602
Profiler	40031603
7800	
All Models	40031607
Aluminum Support	10087103

MRC 7000 SERIES RECORDERS

ASSEMBLY 7.

STEPPER DRIVER CIRCUIT BOARD

<u>PART DESCRIPTION</u>	<u>PART NUMBER SILVER PLATEN</u>	<u>PART NUMBER BLACK PLATEN</u>
One Pen		
7000	SP04614905	SP04623805
7700	SP04614909	SP04623805
7800	SP04614907	SP04623805
Two Pen		
7000	SP04614906	SP04623806
7700	SP04614910	SP04623806
7800	SP04614908	SP04623806
Ribbon Cables		
Short		40050201
Long		40050301

ASSEMBLY 8.

POTENTIOMETER SEGMENT

PART NUMBER

Silver Platen SP40014602
Black Platen Not Required

ASSEMBLY 9.

CONTROLLER CIRCUIT BOARD - 7000

Controller circuit board - PROM ordered separately

<u>PART DESCRIPTION</u>			<u>PART NUMBER</u>
<u>Pen 1</u>	<u>Pen 2</u>	<u>Line Voltage</u>	
RCDR	NONE	115VAC	SP0461470500
CONT	NONE	115VAC	SP0461470500
RCDR	RCDR	115VAC	SP0461470600
CONT	CONT	115VAC	SP0461470600
CONT	RCDR	115VAC	SP0461470600
PROF	NONE	115VAC	SP0461470700
PROF	RCDR	115VAC	SP0461470800
PROF	CONT	115VAC	SP0461470800

MRC 7000 SERIES RECORDERS

Controller circuit board - PROM included 7000 Series

KEY: XPS - Transmitter Power Supply (OP 1)
COM - Communications (OP 2)

<u>PART DESCRIPTION</u>					<u>PART NUMBER</u> <u>SILVER PLATEN</u>	<u>PART NUMBER</u> <u>BLACK PLATEN</u>
<u>Pen 1</u>	<u>Pen 2</u>	<u>OP 1</u>	<u>OP 2</u>	<u>Line Voltage</u>		
RCDR	NONE	—	—	115VAC	SP0461470551	64431601
CONT	NONE	—	—	115VAC	SP0461470552	64431602
PROF	NONE	—	—	115VAC	SP0461470754	64431603
RCDR	RCDR	—	—	115VAC	SP0461470656	64431604
CONT	CONT	—	—	115VAC	SP0461470653	64431605
CONT	RCDR	—	—	115VAC	SP0461470657	64431606
PROF	RCDR	—	—	115VAC	SP0461470858	64431607
PROF	CONT	—	—	115VAC	SP0461470855	64431608
RCDR	NONE	XPS	—	115VAC	SP0461471251	64431609
CONT	NONE	XPS	—	115VAC	SP0461471252	64431610
PROF	NONE	XPS	—	115VAC	SP0461472654	64431611
RCDR	RCDR	XPS	—	115VAC	SP0461471956	64431612
CONT	CONT	XPS	—	115VAC	SP0461471953	64431613
CONT	RCDR	XPS	—	115VAC	SP0461471957	64431614
PROF	RCDR	XPS	—	115VAC	SP0461473358	64431615
PROF	CONT	XPS	—	115VAC	SP0461473355	64431616
RCDR	NONE	—	COM	115VAC	SP0461471059	64431617
CONT	NONE	—	COM	115VAC	SP0461471060	64431618
PROF	NONE	—	COM	115VAC	SP0461472462	64431619
RCDR	RCDR	—	COM	115VAC	SP0461471764	64431620
CONT	CONT	—	COM	115VAC	SP0461471761	64431621
CONT	RCDR	—	COM	115VAC	SP0461471765	64431622
PROF	RCDR	—	COM	115VAC	SP0461473166	64431623
PROF	CONT	—	COM	115VAC	SP0461473163	64431624
RCDR	NONE	XPS	COM	115VAC	SP0461471459	64431625
CONT	NONE	XPS	COM	115VAC	SP0461471460	64431626
PROF	NONE	XPS	COM	115VAC	SP0461472862	64431627
RCDR	RCDR	XPS	COM	115VAC	SP0461472164	64431628
CONT	CONT	XPS	COM	115VAC	SP0461472161	64431629
CONT	RCDR	XPS	COM	115VAC	SP0461472165	64431630
PROF	RCDR	XPS	COM	115VAC	SP0461473566	64431631
PROF	CONT	XPS	COM	115VAC	SP0461473563	64431632
RCDR	NONE	—	—	230VAC	SP0461470951	64431633
CONT	NONE	—	—	230VAC	SP0461470952	64431634
PROF	NONE	—	—	230VAC	SP0461472354	64431635
RCDR	RCDR	—	—	230VAC	SP0461471656	64431636
CONT	CONT	—	—	230VAC	SP0461471653	64431637
CONT	RCDR	—	—	230VAC	SP0461471657	64431638
PROF	RCDR	—	—	230VAC	SP0461473058	64431639
PROF	CONT	—	—	230VAC	SP0461473055	64431640

MRC 7000 SERIES RECORDERS

<u>PART DESCRIPTION</u>					<u>PART NUMBER</u> <u>SILVER PLATEN</u>	<u>PART NUMBER</u> <u>BLACK PLATEN</u>
<u>Pen 1</u>	<u>Pen 2</u>	<u>OP 1</u>	<u>OP 2</u>	<u>Line Voltage</u>		
RCDR	NONE	XPS	—	230VAC	SP0461471351	64431641
CONT	NONE	XPS	—	230VAC	SP0461471352	64431642
PROF	NONE	XPS	—	230VAC	SP0461472754	64431643
RCDR	RCDR	XPS	—	230VAC	SP0461472056	64431644
CONT	CONT	XPS	—	230VAC	SP0461472053	64431645
CONT	RCDR	XPS	—	230VAC	SP0461472057	64431646
PROF	RCDR	XPS	—	230VAC	SP0461473458	64431647
PROF	CONT	XPS	—	230VAC	SP0461473455	64431648
RCDR	NONE	—	COM	230VAC	SP0461471159	64431649
CONT	NONE	—	COM	230VAC	SP0461471160	64431650
PROF	NONE	—	COM	230VAC	SP0461472562	64431651
RCDR	RCDR	—	COM	230VAC	SP0461471864	64431652
CONT	CONT	—	COM	230VAC	SP0461471861	64431653
CONT	RCDR	—	COM	230VAC	SP0461471865	64431654
PROF	RCDR	—	COM	230VAC	SP046173266	64431655
PROF	CONT	—	COM	230VAC	SP0461473263	64431656
RCDR	NONE	XPS	COM	230VAC	SP0461471559	64431657
CONT	NONE	XPS	COM	230VAC	SP0461471560	64431658
PROF	NONE	XPS	COM	230VAC	SP0461472962	64431659
RCDR	RCDR	XPS	COM	230VAC	SP0461472264	64431660
CONT	CONT	XPS	COM	230VAC	SP0461472261	64431661
CONT	RCDR	XPS	COM	230VAC	SP0461472265	64431662
PROF	RCDR	XPS	COM	230VAC	SP0461473666	64431663
PROF	CONT	XPS	COM	230VAC	SP0461473663	64431664
<i>The following are for "AW" Special only:</i>						
PROF	CONT	—	COM	115VAC AW	SP0461473963	64431665
CONT	CONT	—	—	115VAC AW	SP0461473753	64431666
RCDR	RCDR	—	—	115VAC AW	SP0461473756	64431667
PROF	CONT	—	—	115VAC AW	SP0461473855	64431668

MRC 7000 SERIES RECORDERS

CONTROLLER CIRCUIT BOARD - 7700

Controller circuit board - PROM ordered separately

<u>PART DESCRIPTION</u>			<u>PART NUMBER</u>
<u>Pen 1</u>	<u>Pen 2</u>	<u>Line Voltage</u>	
RCDR	NONE	115VAC	SP0461479000
CONT	NONE	115VAC	SP0461479000
RCDR	RCDR	115VAC	SP0461479000
CONT	CONT	115VAC	SP0461479000
PROF	NONE	115VAC	SP0461479000
PROF	CONT	115VAC	SP0461479000

Controller circuit board - PROM included

KEY: XPS - Transmitter Power Supply (OP1)
COM - Communications (OP2)

<u>PART DESCRIPTION</u>					<u>PART NUMBER</u> <u>SILVER PLATEN</u>	<u>PART NUMBER</u> <u>BLACK PLATEN</u>
<u>Pen 1</u>	<u>Pen 2</u>	<u>OP1</u>	<u>OP2</u>	<u>Line Voltage</u>		
RCDR	NONE	—	—	115VAC	SP0461479075	64432801
CONT	NONE	—	—	115VAC	SP0461479076	64432802
PROF	NONE	—	—	115VAC	SP0461479077	64432803
RCDR	RCDR	—	—	115VAC	SP0461479078	64432804
CONT	CONT	—	—	115VAC	SP0461479079	64432805
PROF	CONT	—	—	115VAC	SP0461479080	64432806
RCDR	NONE	XPS	—	115VAC	SP0461479475	64432807
CONT	NONE	XPS	—	115VAC	SP0461479476	64432808
PROF	NONE	XPS	—	115VAC	SP0461479477	64432809
RCDR	RCDR	XPS	—	115VAC	SP0461479478	64432810
CONT	CONT	XPS	—	115VAC	SP0461479479	64432811
PROF	CONT	XPS	—	115VAC	SP0461479480	64432812
RCDR	NONE	—	COM	115VAC	SP0461479281	64432813
CONT	NONE	—	COM	115VAC	SP0461479282	64432814
PROF	NONE	—	COM	115VAC	SP0461479283	64432815
RCDR	RCDR	—	COM	115VAC	SP0461479284	64432816
CONT	CONT	—	COM	115VAC	SP0461479285	64432817
PROF	CONT	—	COM	115VAC	SP0461479286	64432818
RCDR	NONE	XPS	COM	115VAC	SP0461479681	64432819
CONT	NONE	XPS	COM	115VAC	SP0461479682	64432820
PROF	NONE	XPS	COM	115VAC	SP0461479683	64432821
RDCR	RCDR	XPS	COM	115VAC	SP0461479684	64432822
CONT	CONT	XPS	COM	115VAC	SP0461479685	64432823
PROF	CONT	XPS	COM	115VAC	SP0461479686	64432824
RCDR	NONE	—	—	230VAC	SP0461479175	64432825
CONT	NONE	—	—	230VAC	SP0461479176	64432826
PROF	NONE	—	—	230VAC	SP0461479177	64432827

MRC 7000 SERIES RECORDERS

<u>PART DESCRIPTION</u>					<u>PART NUMBER</u> <u>SILVER PLATEN</u>	<u>PART NUMBER</u> <u>BLACK PLATEN</u>
RCDR	RCDR	—	—	230VAC	SP0461479178	64432828
CONT	CONT	—	—	230VAC	SP0461479179	64432829
PROF	CONT	—	—	230VAC	SP0461479180	64432830
RCDR	NONE	XPS	—	230VAC	SP0461479575	64432831
CONT	NONE	XPS	—	230VAC	SP0461479576	64432832
PROF	NONE	XPS	—	230VAC	SP0461479577	64432833
RCDR	NONE	XPS	—	230VAC	SP0461479578	64432834
CONT	CONT	XPS	—	230VAC	SP0461479579	64432835
PROF	CONT	XPS	—	230VAC	SP0461479580	64432836
RCDR	NONE	—	COM	230VAC	SP0461479381	64432837
CONT	NONE	—	COM	230VAC	SP0461479382	64432838
PROF	NONE	—	COM	230VAC	SP0461479383	64432839
RCDR	RCDR	—	COM	230VAC	SP0461479384	64432840
CONT	CONT	—	COM	230VAC	SP0461479385	64432841
PROF	CONT	—	COM	230VAC	SP0461479386	64432842
RCDR	NONE	XPS	COM	230VAC	SP0461479781	64432843
CONT	NONE	XPS	COM	230VAC	SP0461479782	64432844
PROF	NONE	XPS	COM	230VAC	SP0461479783	64432845
RCDR	RCDR	XPS	COM	230VAC	SP0461479784	64432846
CONT	CONT	XPS	COM	230VAC	SP0461479785	64432847
PROF	CONT	XPS	COM	230VAC	SP0461479786	64432848

MRC 7000 SERIES RECORDERS

CONTROLLER CIRCUIT BOARD - 7800

Controller circuit board - PROM ordered separately

<u>PART DESCRIPTION</u>			<u>PART NUMBER</u>
<u>Pen 1</u>	<u>Pen 2</u>	<u>Line Voltage</u>	
RCDR	NONE	115VAC	SP0461475500
RCDR/TOT	NONE	115VAC	SP0461475500
RCDR/TOT/LOG	NONE	115VAC	SP0461477100
RCDR	RCDR	115VAC	SP0461475600
RCDR/TOT	RCDR/TOT	115VAC	SP0461475600
RCDR/TOT/LOG	RCDR/TOT/LOG	115VAC	SP0461477200

Controller circuit board - PROM included

KEY: XPS - Transmitter Power Supply (OP1)
COM - Communications (OP2)

<u>PART DESCRIPTION</u>					<u>PART NUMBER</u>	<u>PART NUMBER</u>
<u>Pen 1</u>	<u>Pen 2</u>	<u>OP1</u>	<u>OP2</u>	<u>Line Voltage</u>	<u>SILVER PLATEN</u>	<u>BLACK PLATEN</u>
RCDR	NONE	—	—	115VAC	SP0461475574	64433701
RCDR/TOT	NONE	—	—	115VAC	SP0461475572	64433702
RCDR/TOT/LOG	NONE	—	—	115VAC	SP0461477172	64433703
RCDR	RCDR	—	—	115VAC	SP0461475670	64433704
RCDR/TOT	RCDR/TOT	—	—	115VAC	SP0461475673	64433705
RCDR/TOT/LOG	RCDR/TOT/LOG	—	—	115VAC	SP0461477273	64433706
RCDR	NONE	XPS	—	115VAC	SP0461476274	64433707
RCDR/TOT	NONE	XPS	—	115VAC	SP0461476272	64433708
RCDR/TOT/LOG	NONE	XPS	—	115VAC	SP0461477572	64433709
RCDR	RCDR	XPS	—	115VAC	SP0461476970	64433710
RCDR/TOT	RCDR/TOT	XPS	—	115VAC	SP0461476973	64433711
RCDR/TOT/LOG	RCDR/TOT/LOG	XPS	—	115VAC	SP0461477673	64433712
RCDR	NONE	—	—	230VAC	SP0461475974	64433713
RCDR/TOT	NONE	—	—	230VAC	SP0461475972	64433714
RCDR/TOT/LOG	NONE	—	—	230VAC	SP0461477372	64433715
RCDR	RCDR	—	—	230VAC	SP0461476670	64433716
RCDR/TOT	RCDR/TOT	—	—	230VAC	SP0461476673	64433717
RCDR/TOT/LOG	RCDR/TOT/LOG	—	—	230VAC	SP0461477473	64433718
RCDR	NONE	XPS	—	230VAC	SP0461476374	64433719
RCDR/TOT	NONE	XPS	—	230VAC	SP0461476372	64433720
RCDR/TOT/LOG	NONE	XPS	—	230VAC	SP0461477772	64433721
RCDR	RCDR	XPS	—	230VAC	SP0461477070	64433722
RCDR/TOT	RCDR/TOT	XPS	—	230VAC	SP0461477073	64433723
RCDR/TOT/LOG	RCDR/TOT/LOG	XPS	—	230VAC	SP0461477873	64433724

MRC 7000 SERIES RECORDERS

ASSEMBLY 10.

RELAY/SSR DRIVER CIRCUIT BOARD - 7000, 7700, 7800

<u>PART DESCRIPTION</u>	<u>PART NUMBER</u>
1 Relay	04614609
2 Relays	04614605
4 Relays	04614606
6 Relays	SP04614607
1 SSR Driver	SP04614610
2 SSR Drivers	SP04614611
4 SSR Drivers	SP04614612
6 SSR Drivers	SP04614613
8 SSR Drivers	SP04614614
1 Relay / 1 SSR Driver	SP04614615
1 Relay / 2 SSR Drivers	SP04614616
1 Relay / 4 SSR Drivers	SP04614617
1 Relay / 6 SSR Drivers	SP04614618
2 Relays / 1 SSR Driver	SP04614619
2 Relays / 2 SSR Drivers	SP04614620
2 Relays / 4 SSR Drivers	SP04614621
2 Relays / 6 SSR Drivers	SP04614622
4 Relays / 4 SSR Drivers	SP04614625
6 Relays / 2 SSR Drivers	SP04614608
4 Relays / 1 SSR Driver	SP04614623
4 Relays / 2 SSR Drivers	SP04614624
6 Relays / 1 SSR Driver	SP04614626
1 Relay SPDT	SP04617009
2 Relays SPDT	SP04617005
2 Relays SPDT / 2 Relays SPST	SP04617022
1 Relay SPDT/1 SSR Driver	SP04617010
1 Relay SPDT/2 SSR Drivers	SP04617011
1 Relay SPDT/4 SSR Drivers	SP04617012
2 Relay SPDT/1 SSR Driver	SP04617013
2 Relay SPDT/2 SSR Drivers	SP04617014
2 Relays SPDT / 4 SSR Drivers	SP04617021
2 Relay SPDT/2 Relay SPST, 1 SSR Driver	SP04617023

Note: If ordering as an add-on, order kit 64422001
(assorted screws to mount board)

MRC 7000 SERIES RECORDERS

ASSEMBLY 11.

CURRENT OUTPUT CIRCUIT BOARD

<u>PART DESCRIPTION</u>	<u>PART NUMBER</u>
One 4/20MA Output	04614805
Two 4/20MA Output	04614806
Three 4/20MA Output	SP04614807
Four 4/20MA Output	SP04614808

Note: If ordering as an add-on, order kit 64422001
(Assorted screws to mount board)

ASSEMBLY 12.

CHART DRIVE MOTOR ASSEMBLY

<u>PART DESCRIPTION</u>	<u>PART NUMBER SILVER PLATEN</u>	<u>PART NUMBER BLACK PLATEN</u>
Chart Drive Motor Assembly	SP10088701	SP10128101
Flange Assembly	SP10040302	SP10128001
Chart Drive Motor	72700802	72702001

ASSEMBLY 13.

PEN DRIVE MOTOR ASSEMBLY

<u>PART DESCRIPTION</u>	<u>PART NUMBER SILVER PLATEN</u>	<u>PART NUMBER BLACK PLATEN</u>
Pen Drive Motor Assembly	SP10088801	SP10128401

ASSEMBLY 15.

PEN BLADE (includes Screws)

<u>PART DESCRIPTION</u>	<u>PART NUMBER SILVER PLATEN</u>	<u>PART NUMBER BLACK PLATEN</u>
Pen Blade (Includes Screws)	64430501	64431701

MRC 7000 SERIES RECORDERS

ASSEMBLY 18.

PEN 1 WIPER ASSEMBLY

<u>PART DESCRIPTION</u>	<u>PART NUMBER SILVER PLATEN</u>	<u>PART NUMBER BLACK PLATEN</u>
Pen 1 Wiper Assembly	SP10039501	NOT REQUIRED

ASSEMBLY 19.

PEN 2 WIPER ASSEMBLY

<u>PART DESCRIPTION</u>	<u>PART NUMBER SILVER PLATEN</u>	<u>PART NUMBER BLACK PLATEN</u>
Pen 2 Wiper Assembly	SP10039601	NOT REQUIRED

ASSEMBLY 20.

COVER HINGE (not shown)

<u>PART DESCRIPTION</u>	<u>PART NUMBER</u>
Includes 2 pins, 2 plates, 4 screws	64417701

ASSEMBLY 21.

MISCELLANEOUS (not shown)

<u>PART DESCRIPTION</u>		<u>PART NUMBER</u>
TRANSFORMER	Standard 115VAC	73402401
TRANSFORMER	24V Power Supply (115VAC Line Voltage)	73402501
TRANSFORMER	230VAC	73402402
TRANSFORMER	24V Power Supply (230VAC Line Voltage)	73402502
MICROCOMPUTER	8032	70909101
RELAY (REPLACEMENT)	SPST or SPDT	71802902
BATTERY KIT	Disc	64414502
	Rectangle	64414501
CHART DRIVE NUT	Silver Platen	SPRFTS6755

MRC 7000 SERIES RECORDERS

PROMS

PART DESCRIPTION

PART NUMBER SILVER PLATEN

PART NUMBER BLACK PLATEN

7000

Recorder	SP10060151	SP10115251
Limit	SP10060151	SP10115251
Controller	SP10060152	SP10115252
Controller/Controller	SP10060153	SP10115253
Profiler	SP10060154	SP10115254
Profiler/Controller	SP10060155	SP10115255
Recorder/Recorder	SP10060156	SP10115256
Controller/Recorder	SP10060157	SP10115257
Profiler/Recorder	SP10060158	SP10115258
Recorder/Communication	SP10060159	SP10115259
Controller/Communication	SP10060160	SP10115260
Cont/Cont/Communication	SP10060161	SP10115261
Profiler/Communication	SP10060162	SP10115262
Prof/Cont/Communication	SP10060163	SP10115263
Rcdr/Rcdr/Communication	SP10060164	SP10115264
Cont/Rcdr/Communication	SP10060165	SP10115265
Prof/Rcdr/Communication	SP10060166	SP10115266

PART DESCRIPTION

PART NUMBER SILVER PLATEN

PART NUMBER BLACK PLATEN

7700

Recorder	SP10060175	SP10115275
Controller	SP10060176	SP10115276
Controller/Controller	SP10060179	SP10115279
Profiler	SP10060177	SP10115277
Profiler/Controller	SP10060180	SP10115280
Recorder/Recorder	SP10060178	SP10115278
Recorder/Communications	SP10060181	SP10115281
Controller/Communications	SP10060182	SP10115282
Cont/Cont/Communications	SP10060185	SP10115285
Profiler/Communications	SP10060183	SP10115283
Prof/Cont/Communications	SP10060186	SP10115286
Rcdr/Rcdr/Communications	SP10060184	SP10115284

7800

1 Pen Recorder	SP10060170	SP10115270
1 Pen Rcdr with Total	SP10060172	SP10115272
2 Pen Rcdr with Total	SP10060173	SP10115273
2 Pen Recorder	SP10060174	SP10115274
1 Pen Rcdr/Total/DataLog	SP10060172	SP10115272
2 Pen Rcdr/Total/DataLog	SP10060173	SP10115273

MRC 7000 SERIES RECORDERS

ACCESSORIES

ASSEMBLY 14.

MOUNTING BRACKET

PART DESCRIPTION

PART NUMBER

Mounting Bracket

64402001

ASSEMBLY 16.

PEN 1 CARTRIDGE

PART DESCRIPTION

PART NUMBER

Red replacement cartridges
(Sold in pkg of 5)

60500402

ASSEMBLY 17.

PEN 2 CARTRIDGE

PART DESCRIPTION

PART NUMBER

Green replacement cartridges
(Sold in pkg of 5)

60500401

MRC 7000 SERIES RECORDERS

<u>PART DESCRIPTION</u>	<u>PART NUMBER</u>
RELAY KIT SPST (FIELD ADD-ON)	64420701
RELAY KIT SPDT (FIELD ADD-ON) (SPDT Relay Circuit Board MUST be present)	64421601
SSR DRIVER KIT (FIELD ADD-ON)	64421401
SHUNT RESISTOR 2.5 OHM	64411702
250 OHM	64411701
24 VOLT TRANSMITTER POWER SUPPLY 115VAC	64421101
230VAC	64421102

COMMUNICATIONS KIT (FIELD ADD-ON)

<u>PART DESCRIPTION</u>	<u>PART NUMBER SILVER PLATEN</u>	<u>PART NUMBER BLACK PLATEN</u>
7000		
Model 7100	64420801	64432201
Model 7110	64420802	64432202
Model 7200	64420803	64432203
Model 7210	64420806	64432206
Model 7220	64420804	64432204
Model 7300	64420805	64432205
Model 7310	64420807	64432207
Model 7320	64420808	64432208
7700		
Model 771	64420809	64432209
Model 772	64420810	64432210
Model 773	64420813	64432213
Model 774	64420811	64432211
Model 775	64420812	64432212
Model 776	64420814	64432214